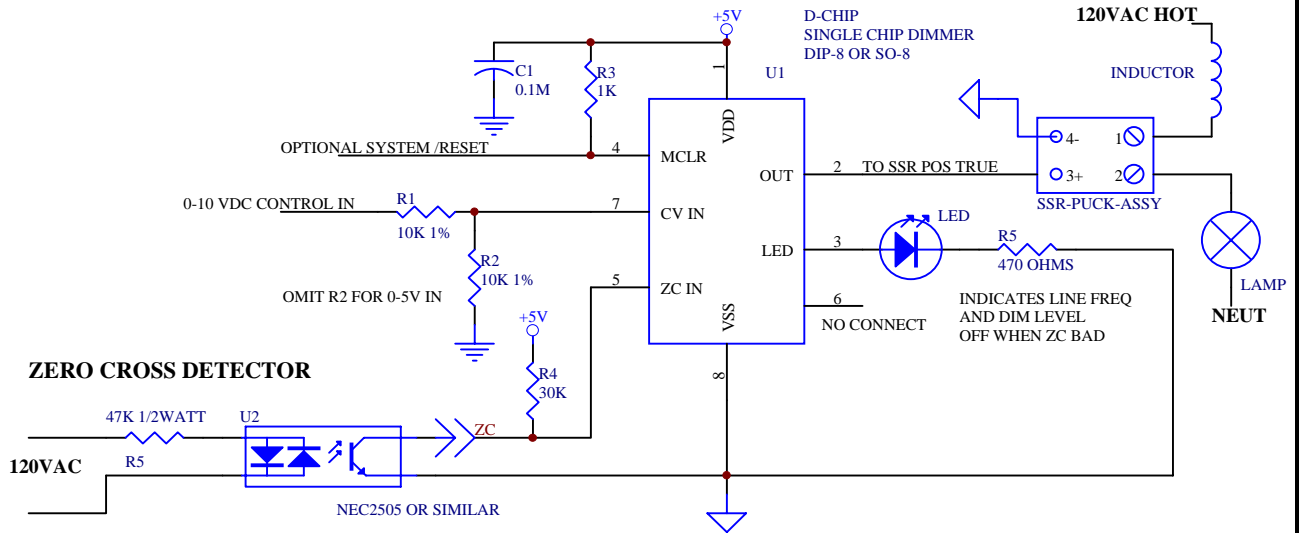


L12760

D-CHIP™

SINGLE CHIP DIMMER



U1 Part number:
L12760
Specify DIP or SOIC when ordering.

The L12760 is a single chip implementation of all the control and shaping circuitry needed to create a theatrical quality dimmer.

0-5V or (0-10V) controls the full range of output.

LED output for status:
LED turns on only when input freq signal is present and either 50 or 60 Hz
LED blinks 3 times to indicate 50Hz.
LED also shows dimming level

Automatic detection and adjustment for 50/60Hz.

True theatrical square law curve, smooth fades at both ends of the control range.

Low power.

Very low component count.

Drives random turn on type hockey pucks or your own MOCxxxx or other opto (use a resistor).

8 pin DIP or SOIC.

Integrated Controls, Inc.

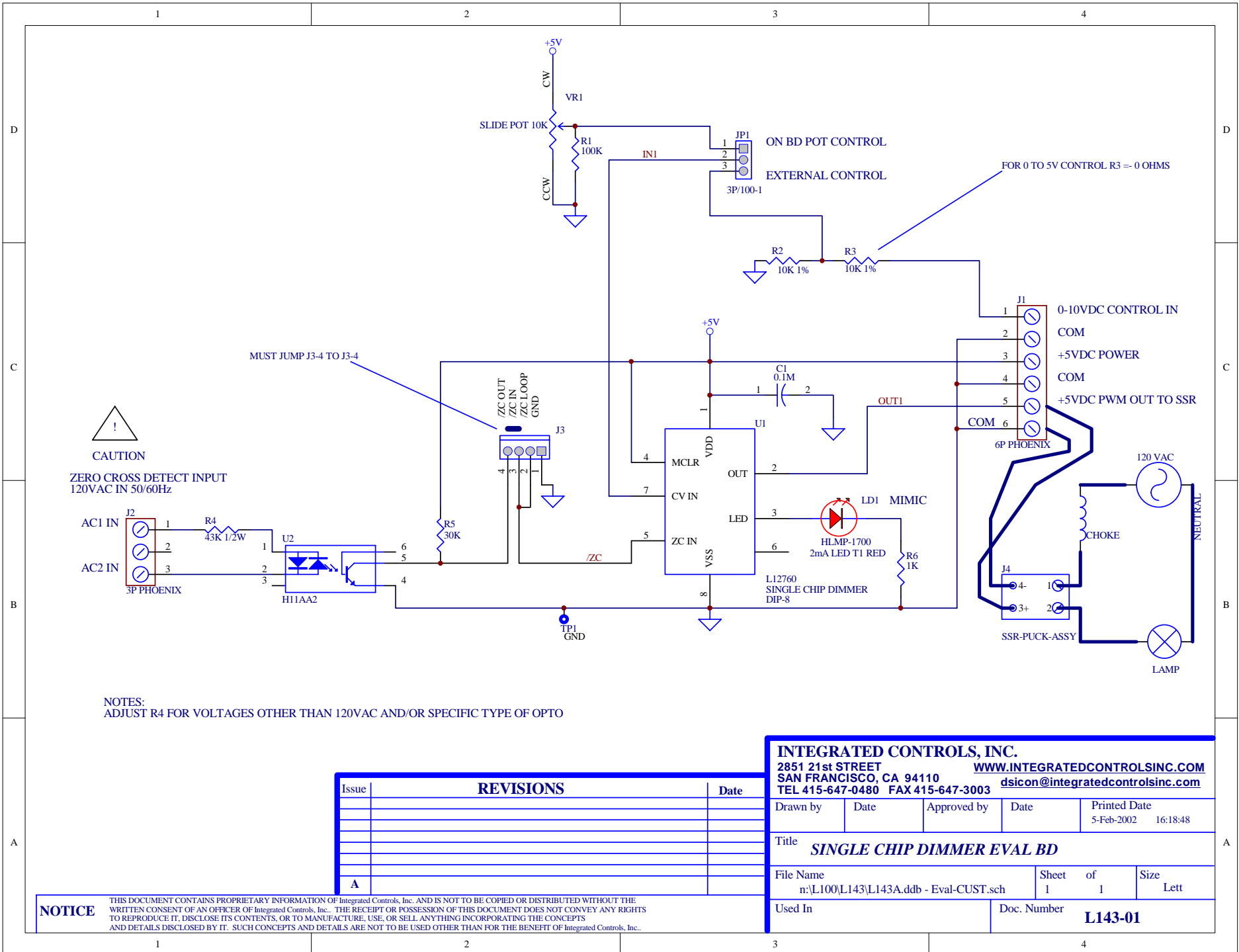
2851 21st Street, San Francisco, CA 94110

tel > 415-647-0480

fax > 415-647-3003

email > dsicon@integratedcontrolsinc.com

web > www.integratedcontrolsinc.com



CAUTION
 ZERO CROSS DETECT INPUT
 120VAC IN 50/60Hz

NOTES:
 ADJUST R4 FOR VOLTAGES OTHER THAN 120VAC AND/OR SPECIFIC TYPE OF OPTO

Issue	REVISIONS	Date

INTEGRATED CONTROLS, INC.
 2851 21st STREET
 SAN FRANCISCO, CA 94110
 TEL 415-647-0480 FAX 415-647-3003

WWW.INTEGRATEDCONTROLSINC.COM
dsicon@integratedcontrolsinc.com

Drawn by	Date	Approved by	Date	Printed Date
				5-Feb-2002 16:18:48

Title **SINGLE CHIP DIMMER EVAL BD**

File Name	Sheet	of	Size
n:\L100\L143\L143A.ddb - Eval-CUST.sch	1	1	Let

Used In	Doc. Number
	L143-01

NOTICE THIS DOCUMENT CONTAINS PROPRIETARY INFORMATION OF Integrated Controls, Inc. AND IS NOT TO BE COPIED OR DISTRIBUTED WITHOUT THE WRITTEN CONSENT OF AN OFFICER OF Integrated Controls, Inc.. THE RECEIPT OR POSSESSION OF THIS DOCUMENT DOES NOT CONVEY ANY RIGHTS TO REPRODUCE IT, DISCLOSE ITS CONTENTS, OR TO MANUFACTURE, USE, OR SELL ANYTHING INCORPORATING THE CONCEPTS AND DETAILS DISCLOSED BY IT. SUCH CONCEPTS AND DETAILS ARE NOT TO BE USED OTHER THAN FOR THE BENEFIT OF Integrated Controls, Inc..